
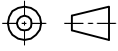


SOURCE DRAWING - FOR REFERENCE ONLY

RELATED DOCUMENTS		3RD ANGLE PROJECTION		THIS DRAWING IS CONFIDENTIAL AND THE PROPERTY OF TURCK INC. USE OF THIS DOCUMENT WITHOUT WRITTEN PERMISSION IS PROHIBITED.		 3000 CAMPUS DRIVE MINNEAPOLIS, MN 55441 1-800-544-7769 (763) 553-7300 (763) 553-0708 fax www.turck.us	
1.				DRFT RDS		DATE 08/19/05	
2.				DSGN EH		SCALE 2=1.0	
3.		ALL DIMENSIONS DISPLAYED ON THIS DRAWING ARE FOR REFERENCE ONLY		UNIT OF MEASUREMENT			
4.				MILLIMETERS			
MATERIAL		6063 T6 ALUMINUM		DESCRIPTION		KLN-3 CLAMP MOD 6MM	
FINISH		CLEAR ANODIZE		IDENTIFICATION NO.		A9233	
CONTACT TURCK FOR MORE INFORMATION		DO NOT SCALE THIS DRAWING		FILE: A9233		REV A	

A	DRAWING RELEASE	RDS	08/19/05	
REV	DESCRIPTION	BY	DATE	ECO NO.